



**8100 FFAST**  
**Fire Alarm Aspiration Sensing Technology®**

3825 Ohio Avenue, St. Charles, Illinois 60174  
 1.800.SENSOR2; Fax: 630.377.6495  
 www.systemsensor.com

**SPECIFICATIONS**

**Electrical Characteristics**

External Supply Voltage	18 – 30 VDC
Remote Reset Time	External monitor must be pulled low for a minimum of 100 msec.
Power Reset	1 sec.
Average Operating Current	415 mA, 10W @24VDC
Alarm	465 mA, 11.2W @24VDC – All relays active, all alarm levels displayed
Relay Contact Ratings	3.0 A @ 30 VDC, 0.5A @ 125 VAC

**Environmental Ratings**

Operating Temperature	32°F (0°C) to 100°F (38°C)
Sampled Air Temperature	-4°F (-20°C) to 140°F (60°C)
Humidity	10 to 95% (non-condensing)
IP Rating	IP30
Coverage Area	8,000 sq. ft. (743.2 sq. m.)
Air Movement	0 – 4,000 ft./min. (0-1,219.2 m/min.)
Hazardous Environments:	This equipment is suitable for use in Class I, Division 2, Groups A, B, C and D, or non-hazardous locations only.

**Exterior Dimensions**

Height	13.25 in. (33.66 cm)
Width	13.0 in. (33 cm)
Depth	5.0 in. (12.7 cm)
Cable Access	4 – 1 in. (2.54 cm) cable entry holes on top and bottom of unit.
Wire Gauge	12 AWG (2.0523 mm) max. to 24 AWG (0.5105 mm) min.
Pipe Network Size	Up to 8000 sq. ft. (approx 743 sq. m) (Approved for 1000 sq. m per AS1603.8 applications) Maximum single pipe length 262 ft. (80 m) Network outside pipe diameter 1.050 in., IPS (25 mm) Internal pipe diameter .591 to .827 in. (15-21 mm)
Shipping Weight	11.6 lbs. (5.26 kg), includes packing material

**TABLE OF CONTENTS**

<b>INTRODUCTION</b>	
SCOPE OF THIS MANUAL.....	2
<b>DESCRIPTION</b>	
FEATURES.....	2
ITEMS INCLUDED WITH UNIT.....	2
<b>INSTALLATION</b>	
PIPE INSTALLATION.....	2
PHYSICAL UNIT INSTALLATION.....	2
Securing the Mounting Bracket.....	2
Mounting the Detector to the Bracket.....	3
Connecting the Air Sampling Pipe.....	3
Exhaust Pipe.....	3
WIRING.....	3
Power Cables.....	3
Conduit Usage.....	3
CABLING REQUIREMENTS.....	4
SYSTEM POWERING.....	4
<b>USER INTERFACE</b>	
USER INTERFACE CARD INSTALLATION.....	5
PARTICULATE LEVEL DISPLAY.....	5
ALARM LEVEL DISPLAY.....	5
AIR FLOW/FAULT DISPLAY.....	5
Labels.....	5
USER INTERFACE BUTTONS.....	5
<b>MODES OF OPERATION</b>	
INITIALIZATION.....	6
STARTUP.....	6
CONFIGURATION.....	6
Failure of Configuration Validation.....	6
Power or Network Loss during Configuration.....	6
NORMAL MODE.....	6
TEST MODE.....	6
RESET MODE.....	6
ACCLIMATE.....	6
Setting Acclimate mode.....	6
DAY, NIGHT AND WEEKEND MODE.....	7
ISOLATION.....	7
USER BUTTON ALTERNATE FUNCTIONS.....	7
Passcode Access.....	7
Address Blink Mode.....	7
IP Address Blink Mode.....	7
FAULTS.....	8
REAL-TIME CLOCK.....	8
LOGS.....	8
Event Log.....	8
Data Trend Log.....	8
Message Log.....	8
EXTERNAL MONITOR/RESET.....	8
ETHERNET CONNECTION.....	8
PIPE NETWORK.....	8
WEB SERVER.....	9
E-MAIL NOTIFICATION.....	9
CANNED SMOKE TESTING.....	9
MAINTENANCE.....	9
<b>GLOSSARY</b>	
KEY TERMS.....	9

## INTRODUCTION

### SCOPE OF THIS MANUAL

This manual is intended as a guide for technicians to install, set up and provide preliminary system checks for the FAAST (Fire Alarm Aspiration Sensing Technology) aspirating smoke detection system. Before installing, please read the Comprehensive Instruction Manual for the FAAST aspiration detection system (available on PipeIQ CD or at [SystemSensor.com/faat](http://SystemSensor.com/faat)), which provides detailed information on pipe design and system configuration.



The performance of the system depends on the designed pipe network for the site. Any alteration to the pipe network will alter the performance of the system and must be verified by a technician. The PipeIQ® design tool can be used to verify the suitability of any pipe network design and subsequent alterations. The PipeIQ software program is available from your distributor or can be downloaded from [systemsensor.com/faat](http://systemsensor.com/faat).

### DESCRIPTION

The 8100 FAAST aspirating smoke detection system is an advanced particulate detection system for use in early warning and very early warning applications.

The system continuously draws air from the controlled environment (up to 8,000 sq. ft.) through a series of sampling holes to monitor the environment for smoke particulate.

FAAST system conditions are displayed at the user interface and at a fire alarm control panel via relays. System conditions can also be displayed remotely in two ways through the network interface: integrated Web server or PipeIQ software. The display provides a clear indication of the system status, particulate levels, alarm levels, air flow and faults. Additionally, e-mail notification can be sent upon status changes. These can all be discerned by monitoring the user interface at either the local or remote display.

### FEATURES

- Advanced detection using blue LED and IR laser technology
- Monitors up to 8,000 sq. ft. (dependant on local code and ordinances)
- Wide sensitivity range of 0.00029% to 6.25% obs/ft.
- Programmable alarm thresholds and delays
- Eight sets of relay contacts
- Advanced dust discrimination for reduced false alarms
- Air filtration
- Particle separation for increased filter life
- Electronic filter life monitoring
- Ultrasonic air flow sensing
- Field service access door
- Easy access filter maintenance door
- Event, service and trend logs
- Pipe modeling software
- Acclimate mode operation for auto-adjustment of sensitivity
- Remote monitoring via Ethernet/IP
- Remote reset/dry contact input
- Multi-lingual support
- E-mail notification of alarm, fault or isolate conditions

### ITEMS INCLUDED WITH UNIT

- FAAST unit
- Mounting bracket
- Mounting nuts (2) and washers (2)
- 3-pin Terminal block (9)
- 4-pin Terminal block (1)
- 47 K-ohm EOL Resistor
- Installation and Maintenance Instructions
- PipeIQ software, comprehensive instruction manual, and advanced networking white paper may be downloaded at [systemsensor.com/faat](http://systemsensor.com/faat)

## INSTALLATION

This equipment must be installed in accordance with all local and national codes and regulations.

### PIPE INSTALLATION

The pipe layout is designed using the PipeIQ software package. Refer to the Comprehensive Instruction Manual that comes with the PipeIQ software package to design the pipe network. All pipe must be installed in accordance with local and national codes and regulations. The pipe network should be complete before proceeding with the physical and electrical system installation.

### PHYSICAL UNIT INSTALLATION



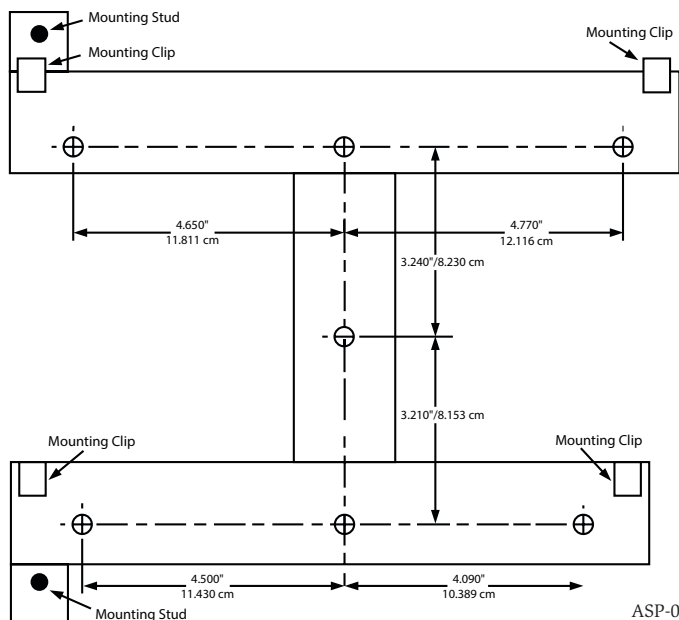
Make sure that there are no pipes or electrical wires within the wall before drilling any mounting holes.

#### Securing the Mounting Bracket

The typical mounting location for the FAAST unit is on a wall. The unit is mounted to the wall using the enclosed mounting plate. Figure 1 shows the wall mounting plate. For easier access to the FAAST unit, it is preferred to position the mounting plate in an easily accessible location.

1. Place the mounting bracket on the wall in the desired location and use it as a template to locate the necessary mounting holes.
2. Mark the hole locations and remove the bracket. It is recommended to secure the bracket using the 4 outer mounting holes.
3. Using a drill and the proper size bit for your mounting hardware, drill the necessary holes.
4. Use appropriate fasteners to accommodate the mounting surface and FAAST device weight.
5. Secure the bracket to the wall.

FIGURE 1. WALL MOUNTING PLATE

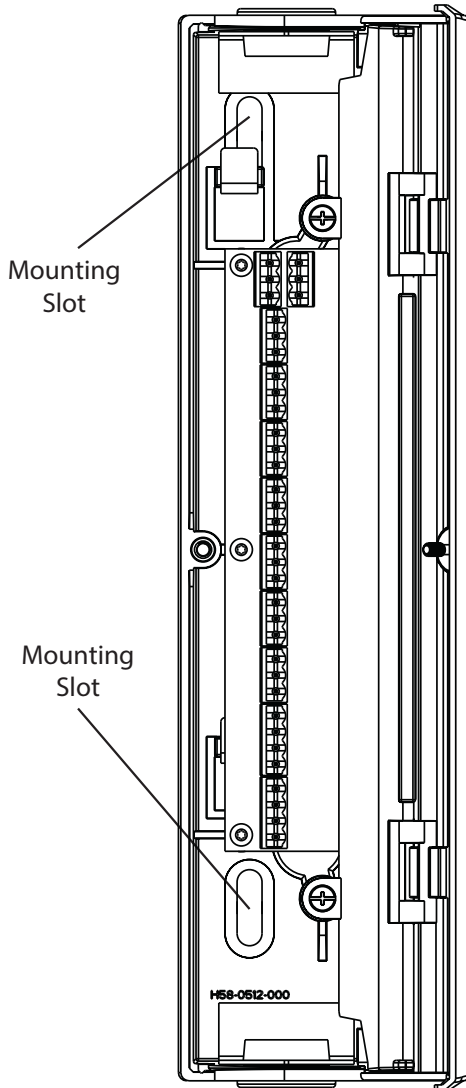


### Mounting the Detector to the Bracket

Once the mounting plate is attached, the unit is ready to be mounted onto the plate. Perform the following procedure to mount the unit.

1. Before installing the unit onto the bracket, remove the appropriate conduit cap from the top or bottom-left side of the unit to match the orientation of the wiring. See Figure 14 for location of the wiring access plugs.
2. Line up the unit with the four mounting clips and the mounting studs on the left side.
3. Push the unit down onto the mounting clips and secure it with the supplied washer and nut on at least one of the two mounting studs protruding through the mounting slots shown in Figure 2.

**FIGURE 2. MOUNTING SLOTS FOR MOUNTING STUDS**



### Connecting the Air Sampling Pipe

The input and output ports are designed to accept standard one inch pipe (25 mm) OD. The input ports are tapered to provide fast, easy, push-fit connection of the sampling pipe to the unit. Perform the following procedure to connect the air sampling pipe to the unit.

1. Square off and de-burr the end of the sampling air pipe. Ensure that the pipe is free from any particles that might interfere with the pipe connection.
2. Remove the input plug from the input port being used (either the top or bottom of the unit).
3. Insert the sampling air pipe into the input port, ensuring a snug fit. DO NOT glue these pipes.

### Exhaust Pipe

The device should always be exhausted into the space that it is monitoring. There are some circumstances when it may be necessary to connect a pipe to the exhaust port to divert the exhaust away from the location of the unit. The output ports are tapered the same as the input ports, to provide fast, easy, push-fit connection of an exhaust pipe to the unit. Perform the following procedure to connect the exhaust pipe to the unit.

1. Square off and de-burr the end of the exhaust pipe. Ensure that the pipe is free from any particles that might interfere with the pipe connection.
2. Remove the exhaust plug from the output port being used (either the top or bottom of the unit).
3. Insert the exhaust pipe into the output port, ensuring a snug fit. DO NOT glue these pipes.

### WIRING



Before working on the FAAST system, notify all required authorities that the system will be temporarily out of service. Make sure all power is removed from the system before opening the unit. All wiring must be in accordance with local codes.

### Power Cables

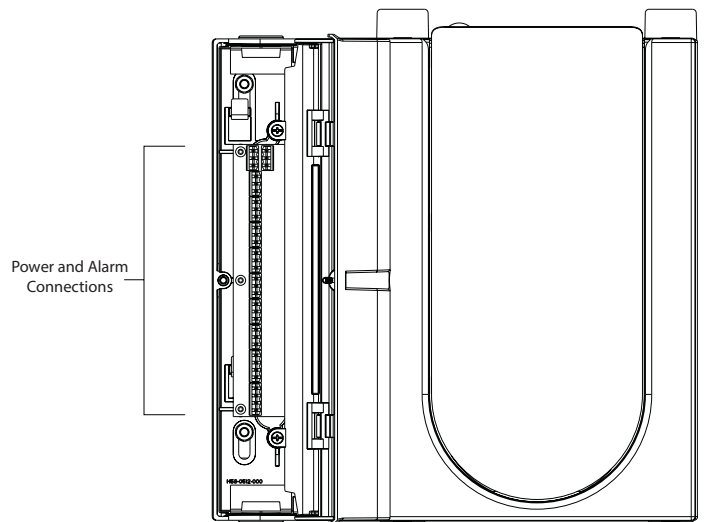
Use the power ratings of the unit to determine the required wire sizes for each connection. Use the power ratings of the connected products to determine proper wire size.

### Conduit Usage

If electrical conduit is used for system wiring, terminate the conduits at the cable entry ports on the top or bottom of the unit, using the appropriate conduit connectors.

1. Run all wiring, both power and alarm, through the conduit and into the left side of the unit enclosure, as shown in Figure 3.
2. Attach the appropriate wires to the supplied Euro connector. Follow appropriate local codes and electrical standards for all cabling.
3. Plug the appropriate connector into the mating connector on the unit.

**FIGURE 3. POWER AND ALARM CONNECTION CONNECTOR BLOCK**



## CABLING REQUIREMENTS

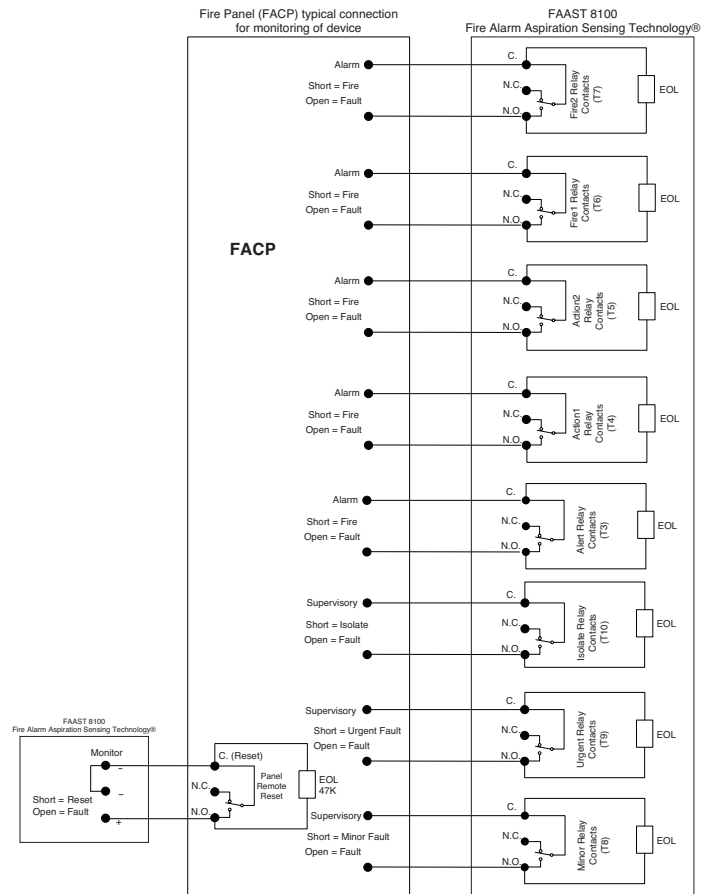
The FAAST system provides a series of Euro style pluggable terminals, located behind the left side door of the unit.

Refer to Table 1 for the proper electrical connections to the unit. Refer to Table 2 for a typical connection for monitoring the FAAST system at a Fire Alarm Control Panel (FACP).

**TABLE 1. TERMINAL DESIGNATIONS**

NUMBER	NAME	TERMINAL BLOCK
T1	External Power -	<b>1</b>
T2	External Power -	
T3	External Power +	
T4	External Power +	
T5	N/A	<b>2</b>
T6	N/A	
T7	N/A	
T8	N/A	
T9	Alert NO	<b>3</b>
T10	Alert COM	
T11	Alert NC	
T12	Action 1 NO	<b>4</b>
T13	Action 1 COM	
T14	Action 1 NC	
T15	Action 2 NO	<b>5</b>
T16	Action 2 COM	
T17	Action 2 NC	
T18	Fire 1 NO	<b>6</b>
T19	Fire 1 COM	
T20	Fire 1 NC	
T21	Fire 2 NO	<b>7</b>
T22	Fire 2 COM	
T23	Fire 2 NC	
T24	Minor Fault NO	<b>8</b>
T25	Minor Fault COM	
T26	Minor Fault NC	
<b>T27</b>	<b>Urgent Fault NC</b>	<b>9</b>
T28	Urgent Fault COM	
<b>T29</b>	<b>Urgent Fault NO</b>	
T30	Isolate NO	<b>10</b>
T31	Isolate COM	
T32	Isolate NC	
T33	Ext Monitor/Reset -	<b>11</b>
T34	Ext Monitor/Reset -	
T35	Ext Monitor/Reset +	

**TABLE 2. FACP WIRING DIAGRAM**



ASP18-02

## SYSTEM POWERING

The following procedure describes how to initially power up the FAAST system.

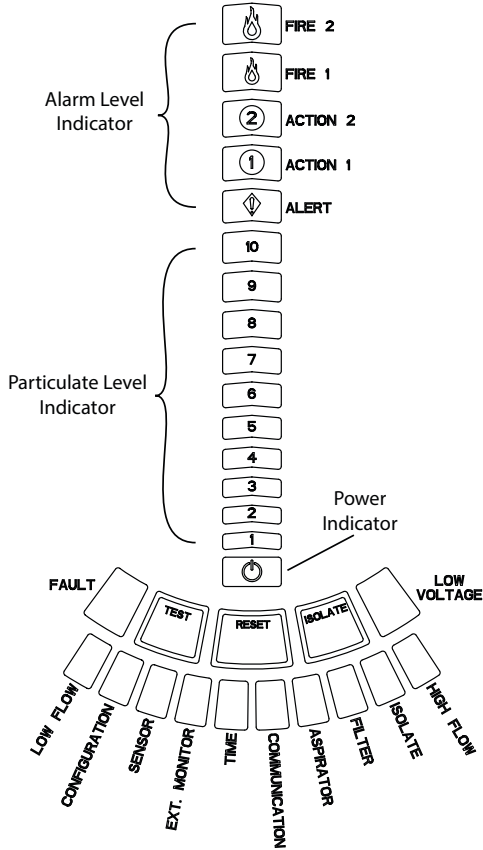
1. Unplug the unit's power connector to the unit before turning ON the power.
2. Turn on the power.
3. Check the voltage at the connector. Make sure it is within the required voltage range.
4. If the voltage is within the proper range, reconnect the power connector to the unit.
5. Verify the system fan starts up and air begins to flow out of the exhaust port.
6. Connect a computer, with the PipeIQ software installed, to the unit using the Ethernet connection on the bottom of the unit.
7. Use the PipeIQ software to set up the unit configuration required for the particular application.
8. When the configuration is complete, remove the Ethernet connection to the unit.

## USER INTERFACE

The user interface, shown in Figure 4, provides the following information:

- Detector Status: Normal, Alarm, Fault or Isolate
- Alarm Level; Alert, Action 1, Action 2, Fire 1 and Fire 2
- Particulate Levels; 1-10 relative to Alert
- Fault Status
- Flow Level
- Test, Reset and Isolate Buttons

**FIGURE 4. USER INTERFACE DISPLAY**



ASP-08

**USER INTERFACE CARD INSTALLATION**

The user interface card must be installed on the front panel of the FAAST aspirating smoke detection system. For installation, first slide the card into the bottom pocket, then beneath each of the mounting tabs. If necessary, use a flathead screwdriver to gently press the card in place beneath each of the mounting tabs. The card is moderately flexible to allow for some bending during installation. The user interface card is available in various languages.

**PARTICULATE LEVEL DISPLAY**

The particulate level display, shown in Figure 5, consists of ten amber LEDs that correspond to the current level of the particulate detected. The LEDs illuminate in order from Level 1 to Level 10, starting from the bottom of the display and moving up as the particulate level increases. Each LED represents a ten percent increase in the particulate level necessary to reach the Alert Alarm Level.

**FIGURE 5. PARTICULATE LEVEL DISPLAY**



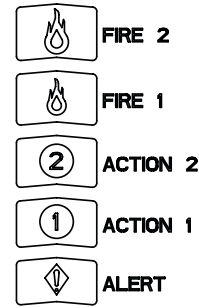
ASP-09

**ALARM LEVEL DISPLAY**

The Alarm Level Display consists of five red LEDs that correspond to the current alarm level, shown in Figure 6. These LEDs are located directly above the Particulate Level LEDs. They illuminate sequentially upward as the severity of the alarm increases.

These alarm levels are configured at default levels when shipped. They may be modified using the PipeIQ software tool. Each of these alarm levels controls a set of form C relay contacts. When an alarm level threshold is crossed, the corresponding level LED illuminates and the relay activates a signal. These alarm levels and associated relay outputs can be programmed for either latching or non-latching operation, in addition to a programmable delay for each level from 0 to 60 seconds. The programmable ranges for each level are shown in Table 3.

**FIGURE 6. ALARM LEVEL DISPLAY**



ASP-10

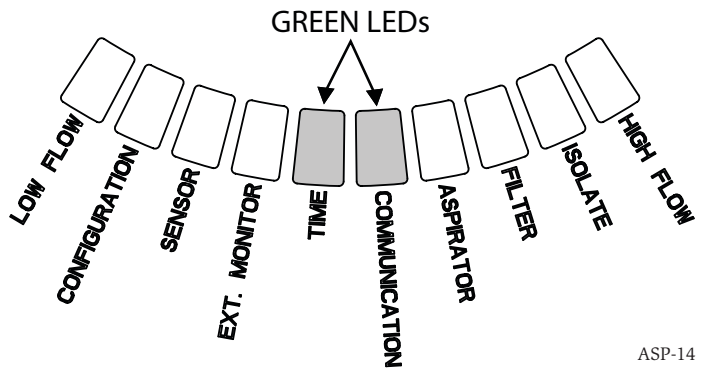
**AIR FLOW/FAULT DISPLAY**

The FAAST system uses ultrasonic airflow sensing and displays the status in real time on the User Interface. The air flow/fault display consists of 10-bi-color LEDs and operates in one of two modes. A fault warning occurs when airflow increases or decreases by 20% or greater. The green segments indicate how close the current air flow is to either of these thresholds. During normal operation two adjacent indicators are green and correspond to the current airflow entering the detector. When airflow is at a balanced level the two green segments are centered on the graph at levels 5 and 6, see Figure 7. As airflow rises and falls, the green segments move right and left accordingly. The segment on the far left represents a decrease in airflow of 20%. Conversely, movement to the segment on the far right represents an airflow increase of 20%. A flow fault occurs within 3 minutes of reaching either of these levels and the minor fault relay is indicated. If the detected airflow is greater or less than a 50% change from normal, the urgent fault relay is indicated. During a fault condition, the fault LED as well as the corresponding high or low fault segment is lit in amber.

**Labels**

Detector faults are labeled adjacent to the indicators on the Air Flow Fault graph.

**FIGURE 7. BALANCED AIR FLOW**

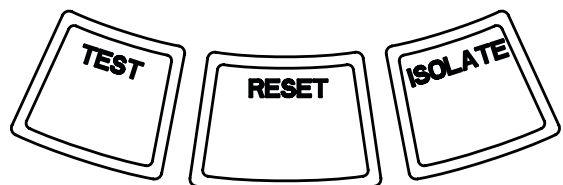


ASP-14

**USER INTERFACE BUTTONS**

The user interface has three buttons, shown in Figure 8, that are used to operate the unit. Functionality of these buttons are locked out by default from the factory and require a passcode to enable them (refer to Passcode Access section). The passcode can be programmed from the PipeIQ software tool.

**FIGURE 8. USER INTERFACE BUTTONS**



ASP-11

**TABLE 3. ALARM LEVEL PROGRAMMABLE RANGES**

ALARM LEVEL	DEFAULT THRESHOLD %OBS/FT.	PROGRAMMABLE RANGE %OBS/FT.	DEFAULT THRESHOLD %OBS/M	PROGRAMMABLE RANGE %OBS/M
Alert	0.012	0.00029-6.25	0.0396	0.00095-20.5
Action 1	0.050	0.00029-6.25	0.165	0.00095-20.5
Action 2	0.100	0.00029-6.25	0.33	0.00095-20.5
Fire 1	0.250	0.00029-6.25	0.825	0.00095-20.5
Fire 2	0.500	0.00029-6.25	1.65	0.00095-20.5

NOTE: Installation must be accomplished in accordance with all local codes and regulations.

Product is UL certified to UL268. The 8100 FAAST is UL approved from 0.00029 %/ft obs. to 4.0%/ft obs. Evacuation via FACP (fire alarm control panel) must not be set higher than 0.743 %/ft obs. Product UL approved sensitivity range for D(l) classification is from 0.5 to 0.61 %/ft obs. from 300 to 4000 FPM. Evacuation via FACP (fire alarm control panel) must not be set higher than 0.735 %/ft obs. Product is approved for air velocity range from 100 to 4000 FPM.

## MODES OF OPERATION

### INITIALIZATION

When the FAAST system is first installed it is not configured and gives a fault indication by illuminating the configuration fault LED indicator. This indicates that the device has not had its initial configuration loaded and remains in this state until it is initially configured (refer to the Configuration section below for further instructions). Once configuration has started, the device performs an automatic initialization. This initialization sets the air flow baseline, the filter clogged baseline and the particulate level baseline. It is important that the system is connected properly and the filter is installed correctly when the device is initialized. These initial readings are used as a reference baseline to indicate when a fault occurs. Initialization may take up to five minutes to complete.

### STARTUP

Once powered, the FAAST system scrolls the particulate display in green for one second and then initializes using its stored configuration. The device checks and establishes its initial airflow, filter and fan settings. If all measurements are normal it begins normal operation. If any fault is detected the appropriate fault LED will illuminate.

### CONFIGURATION

The FAAST system is configured using the software included in PipeIQ. Data is sent via the built-in Ethernet connection. The device receives the configuration and performs a validation before the configuration becomes active. After validation of the data, the device performs an initialization with the new configuration.

#### Failure of Configuration Validation

If configuration validation fails, the software configuration tool indicates a failure and the FAAST system illuminates the amber CONFIGURATION fault LED on the user interface. The device will not accept any of the data as valid. If a configuration fault occurs during the initial configuration or the device is unable to operate due to the configuration, a Major fault relay will be set. The device must be re-configured using PipeIQ. If the configuration fault occurs after the initial configuration has been accepted, a Minor Fault relay will be set and the device reverts back to its last valid configuration.

#### Power or Network Loss during Configuration

During an upload of configuration data, the FAAST system keeps the last known valid configuration in memory until a complete validation is completed on the new configuration data. This prevents data corruption in the event of a power loss or network failure. When power is restored the device performs a Startup with the last valid configuration. The device also indicates a CONFIGURATION fault on the user interface and sets the Minor Fault Relay. This occurs only once. When the next Reset or Power On Reset is performed the device continues to use the last valid configuration.

**TABLE 4. ACCLIMATE LEVELS**

ALARM LEVEL	THRESHOLD HIGH SENSITIVITY	THRESHOLD LOW SENSITIVITY	CURRENT LEVEL
Alert	Alert High	Alert Low	Acclimate Alert Level
Action 1	Action 1 High	Action 1 Low	Acclimate Action 1 Level
Action 2	Action 2 High	Action 2 Low	Acclimate Action 2 Level
Fire 1	Fire 1 High	Fire 1 Low	Acclimate Fire 1 Level
Fire 2	Fire 2 High	Fire 2 Low	Acclimate Fire 2 Level

### NORMAL MODE

In Normal operating mode the FAAST system displays the air flow and current particulate levels on the user interface. The particulate level is compared to the threshold levels programmed into the device and activates the appropriate alarm as particulate levels exceed that threshold. If any fault occurs it activates the corresponding fault LED and relay.

### TEST MODE

Test mode is initiated through the PipeIQ Live View tab or by depressing the TEST button on the user interface, when the button is enabled (refer to pass-code access section for activation details). Test mode simulates a fire condition, activating all ten segments in the Particulate Level display and each segment in the Alarm display. Each corresponding alarm relay is also activated after any programmed delay associated with that relay. Activation of the RESET button removes the device from TEST mode.

### RESET MODE

Reset mode is initiated through the PipeIQ Live View tab or by depressing the RESET button on the user interface, when the button is enabled (refer to pass-code access section for activation details). When RESET is activated all relays are reset. The device then enters Normal mode operation. If any fault or alarm states remain, the device re-activates the state automatically.

### ACCLIMATE

The FAAST system includes an available Acclimate mode. By allowing the device to operate in Acclimate mode, a device's susceptibility to nuisance alarms can be reduced. This provides maximum protection for a device located in changing environments. The sensitivity of the unit continuously adjusts over time, within the set limits as the local environment changes. Acclimate mode must be activated and configured with the software configuration tool which is part of the PipeIQ software package. In Acclimate mode the device automatically adjusts the alarm point between a specified minimum and maximum sensitivity, programmed by the user. For the first 24 hours of operation the device monitors its environment. After the initial 24 hour period, the device adjusts the alarm point based on the particulate levels over a rolling 1 hour period. It then adjusts the alarm level starting from the insensitive boundary, based on the stability of the environment being monitored.

#### Setting Acclimate mode

The user chooses the boundaries for each alarm level in the Acclimate mode. The FAAST system starts from the insensitive boundary and adjusts itself to stay within the sensitive boundary. It is also possible to have a static alarm level by adjusting the high and low boundary to the same level. This allows the flexibility to maintain acclimating levels for some alarms and static levels for others. Table 4 shows the various levels that are available.

Each Acclimate level is also available for monitoring with the PipeIQ tool. This allows the user to read the current Acclimated alarm level for each alarm.

**DAY, NIGHT AND WEEKEND MODE**

If Acclimate mode is not desired, the FAAST system can operate in a simple day, night and weekend mode. This allows the device to have separate threshold levels for each state. Times can be configured, if desired, for entering and leaving day and night time operation. The device has an internal time reference (clock) and automatically switches to the weekend mode for Saturday and Sunday.

**ISOLATION**

Isolation mode is initiated by pressing and releasing the ISOLATE button on the user interface when the button is enabled (refer to the passcode section). When the ISOLATE button is activated the FAAST system resets the fault and alarm relays. It then sets the isolation relay and the isolation fault indicator illuminates on the user interface. In this mode the device operates normally but will not activate relays for any alarm or fault levels (except the Isolation relay). Fire and fault events can still be seen on the user interface and the web server will send e-mail notification of events if enabled. Isolation mode will be held through resets and power outages. The device will remain in isolation mode until the isolation mode is removed by pressing the ISOLATE button. ISOLATE mode may be enabled and disabled using the monitoring portion of PipeIQ.

**DISABLE**

Disable mode is initiated by pressing and holding the ISOLATE button on the user interface for 3 seconds when the button is enabled (refer to the passcode section). When the ISOLATE button is activated, the FAAST system resets the fault and alarm relays. It then sets the isolation relay and the isolation fault indicator illuminates on the user interface. In this mode the fan switches off and the device does not report any alarm or fault levels on the user interface or activate any relays (except the Isolation Relay). This mode should only be used when the system needs to be taken offline. This mode will be held through resets and power outages. The device will remain in disable mode until the disable mode is removed by pressing the ISOLATE button. Disable mode cannot be enabled or disabled using the monitoring portion of PipeIQ.

**USER BUTTON ALTERNATE FUNCTIONS**

**Passcode Access**

The user interface has an option that requires users to enter a security code before the front panel functions become active. All passcodes must be 4 digits in length using numbers 1 through 9 (zero cannot be used). Passcodes may only be changed through the PipeIQ software program. In addition, the configuration software tool is capable of locking out buttons individually, so that certain buttons may be accessed without a passcode, if desired.

The default passcode is '1111'.

The TEST button enters digits, the RESET button is used to enter the unlock mode and the ISOLATE button increments the current digit.

To enter the passcode mode, press and hold the RESET button for 8 seconds. The first segment on the flow indicator first illuminates yellow, then green. When the segment illuminates green, release the RESET button. The first segment on the airflow display blinks green, indicating the device is ready to accept the first digit.

**FIGURE 9. PASSCODE ACCESS BUTTONS**



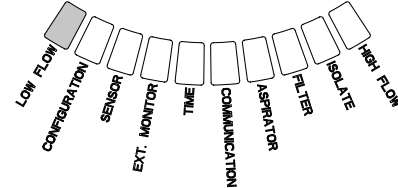
ASP-11

To enter the passcode, use the ISOLATE and TEST buttons, shown in Figure 9. The ISOLATE button is used to increment the current digit. As the current digit is incremented the segments of the Particulate Bar Graph illuminate accordingly. To complete entry of the digit, press the TEST button. As each digit is entered the airflow segment illuminates solid green and the next segment begins to flash, indicating the next digit is ready to be entered. After the 4th digit is entered, the fault indicator illuminates green, if the passcode was accepted and remains green as long as the detector is "unlocked". If the passcode was not accepted, the fault indicator illuminates amber for 3 seconds then the device returns to its previous state.

Once the passcode is accepted, the locked out button(s) become active. After 45 seconds of inactivity the fault indicator begins to blink green. After an additional 15 seconds the detector re-locks the button(s) and returns to normal operation.

Note: If the RESET button is chosen as a locked button, and a reset is initiated, the device requires the passcode to regain access to the RESET button.

**FIGURE 10. ADDRESS BLINK MODE**



ASP-12

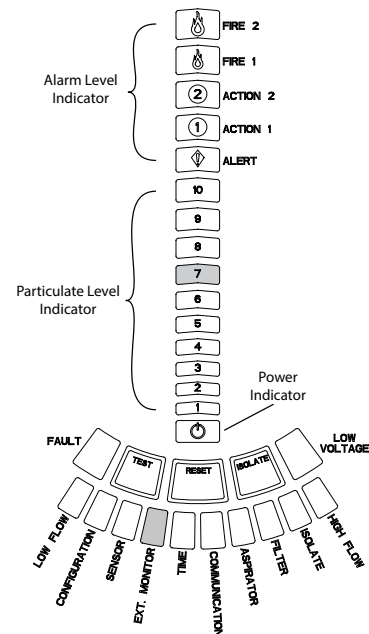
**Address Blink Mode**

The unit has two types of addressing capabilities. In addition to the IP Address, the FAAST system can also have a local address that is assigned through the configuration software. The address can be between 1 and 255. This address can be accessed from the user interface by pressing and holding the RESET button for 3 seconds. After 3 seconds, the first segment on the airflow display illuminates amber, shown in Figure 10, indicating the device is in address blink mode. Release the RESET button and the device shows the 3 digit number assigned by lighting the particulate bar graph with the appropriate number of segments for each digit. The current digit displayed is indicated by the 3 left most indicators on the air flow graph. The first digit is the 100's and illuminates for 2 seconds. Next, the tens digit illuminates for 2 seconds, followed by the ones digit illuminating for 2 seconds. If one of the numbers is zero, then no lights will illuminate for that number on the particulate graph. The device then returns to normal operating mode.

**IP Address Blink Mode**

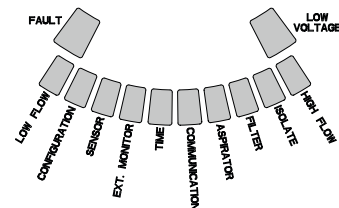
If the device IP has been lost or is unavailable, it's possible to obtain the address using the IP address blink mode. The IP address can be accessed from the user interface by pressing and holding the RESET button for 30 seconds. The digits are displayed using the same method described in the address blink mode, except that the FAULT and LOW VOLTAGE indicators are used to show the 1st and 12th digit, respectively. The device gives the 12 digit number by illuminating the particulate bar graph to the appropriate number of segments for each digit, as shown in Figure 11. The example shown in Figure 11 shows that the 5th number of the IP address is 7. The current digit displayed is indicated by the FAULT, FLOW / FAULT and VOLTAGE indicators (figure 12) starting with the FAULT for the 1st digit, progressing through the HIGH FLOW, and ending with the LOW VOLTAGE for the 12th digit. If one of the numbers is zero, then no lights will illuminate for that number on the particulate graph. The device will return to normal operating mode.

**FIGURE 11. IP ADDRESS BLINK MODE**



ASP-15

**FIGURE 12. IP ADDRESS INDICATOR LIGHTS**



ASP-19

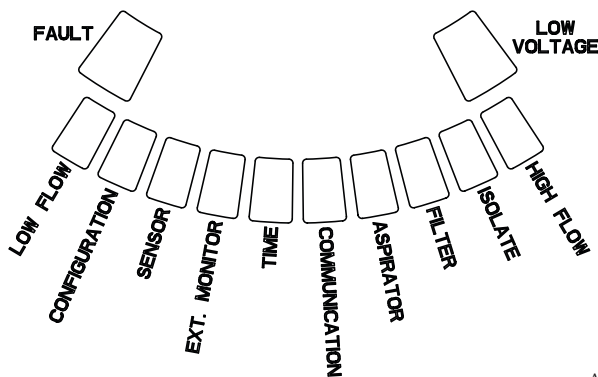
**TABLE 5. FAULT DESCRIPTION**

NUMBER	NAME	DESCRIPTION	ACTIVATED RELAY
1	Low Flow Fault	Device has decreased airflow of 20%.	Minor Fault
		Device has decreased airflow of 50%.	Urgent Fault
2	Configuration	Configuration of device with configuration software has failed.	Minor Fault
		Device was interrupted with a power loss during configuration. A Reset will clear this fault and device will revert back to it's last good configuration.	Minor Fault
		Device is new and has not been configured.	Urgent Fault
3	Sensor Fault	Device has corrupt configuration and is unable to operate.	Urgent Fault
		Device has problem with the particulate sensor and needs immediate replacement.	Urgent Fault
4	External Monitor Fault	External monitor detects open.	Minor Fault
5	Time Fault	Internal Time base needs updating.	Minor Fault
6	Communication Fault	Device has failed to communicate to one of it's peripherals and cannot function properly.	Urgent Fault
7	Aspirator Fault	Indicates the fan has stopped working and requires immediate attention.	Urgent Fault
8	Filter Fault	Device filter is clogged and requires replacement.	Minor Fault
		Device filter is clogged and has not been replaced 72 hours after giving the Filter Fault with Minor Fault Relay set.	Urgent Fault
9	Isolate Fault	Device has been put in isolate mode.	Isolation Fault
10	High Flow Fault	Device has Increased airflow of 20%.	Minor Fault
		Device has Increased airflow of 50%.	Urgent Fault
11	Low Voltage Fault	Device Input voltage is low.	None

**FAULTS**

Whenever a fault occurs, the general FAULT indicator illuminates amber and the flow status bar oscillates between flow status (green) and a detailed fault status (amber). Table 5 shows the number, name, description and the activated relay for each fault. The fault display on the user interface is shown in Figure 13.

**FIGURE 13. FAULT DISPLAY**



ASP-13

**REAL-TIME CLOCK**

The unit is equipped with a real-time clock and power supply that allows the FAAST system to maintain the date and time for up to 72 hours after a loss of power. Date and time are configured through the PipeIQ software. The real-time clock is used to maintain a time base for the device. This time base is used to time stamp all log entries, as well as determine when it is time to transfer from day, night and weekend modes. If the device loses power for more than 72 hours the device sets the TIME fault indicating the time needs to be updated.

**LOGS**

**Event Log**

The FAAST system is equipped with internal memory that can be configured to log detector events. Up to 18,000 events can be stored. Events that are tracked include alarms, faults and user actions. Event tracking data may be accessed via the network through the PipeIQ software or the Web server interface. Configuration and management of the log are done using the PipeIQ software.

**Data Trend Log**

The FAAST system tracks trend data for each 24 hour time period, up to 1 year. The device records the minimum, maximum and average reading of the sensor and flow values for each day.

**Message Log**

The message log allows the user to enter generic text messages into the system's memory. Messages may be retrieved for viewing at a later time. These messages may be used to track service history, configuration changes, etc. A maximum of 300 messages may be stored.

**EXTERNAL MONITOR/RESET**

The FAAST system has an external monitor that can detect an open or a short when the supplied 47 K-ohm end of line resistor is used. When the device senses an open circuit it sets the External Monitor fault indicator and sets the Minor fault relay. When a short circuit is detected the device performs a Reset. This provides the ability to reset alarm latches remotely.

**ETHERNET CONNECTION**

The FAAST system is a network capable device that is compatible with standard Ethernet networking equipment. Connectivity is provided by an onboard RJ-45 connector located on the bottom of the unit, as shown in Figure 14. The network interface is required for initial detector configuration. Once initial setup is complete, the Ethernet connection provides optional remote access, monitoring and e-mail notification through the unit's Web server and SMTP client.

NOTE: Class 1, Div 2 - RJ45 Connector is for maintenance use only and shall not be used while in a Hazardous Location unless power has been removed or the area is known to be non-hazardous.

**PIPE NETWORK**

The unit can monitor up to 8,000 sq.ft. (approx. 743 sq. m) with a properly designed pipe network. The pipe network must be properly configured using the PipeIQ software. The pipe network accommodates a maximum single pipe length of 262 ft. (80 m). If two branches are used, the maximum single pipe length is 165 ft. (50 m). The device is capable of both metric 25 mm and IPS 1.05 in. pipe outside diameters without the use of an adaptor. The internal pipe diameter can range from .591-.827 inches (15-21mm). Only 1 inlet and 1 outlet pipe are used at a time. Pipe networks may be constructed of various materials such as ABS, cPVC, PVC, copper or stainless steel pipe. Travel time from the furthest hole depends on the application of the device, but is limited to a maximum of 120 seconds by the PipeIQ software. Refer to local agency requirements and PipeIQ software for proper configuration.

**WEB SERVER**

The FAAST system contains an integrated Web server which is used to observe detector configuration and may be used to remotely monitor the unit.

The Web server features include:

- Intuitive interface for remote monitoring of faults, relays, particulate level, air flow, and power supply
- Facility location and contact information
- Configuration settings display
- Multi-Lingual support
- Event log viewer

**E-MAIL NOTIFICATION**

The FAAST system has the ability to send e-mail notifications to an individual or organization. Up to 6 different email addresses may be stored for notification. Each email address can be configured to be notified of a specific alarm level, fault level or isolate condition through the PipeIQ software. E-mails from the device indicate a device’s ID, location and alarm or fault type. A comprehensive networking guide may be downloaded at [systemsensor.com/faast](http://systemsensor.com/faast).

**CANNED SMOKE TESTING**

All FAAST systems must be tested after installation and periodically thereafter. Testing methods must satisfy the authority having jurisdiction. Systems offer maximum performance when tested and maintained in compliance with NFPA 72. UL Tested and approved aerosol smoke products are listed in Table 6.

**MAINTENANCE**

The only periodic maintenance required is to replace the filter assembly when the filter light is illuminated. Perform the following procedure to replace the filter assembly.

1. Remove power from the system.
2. Open the door on the right side of the device that covers the LED system indicators.
3. Remove the plastic name card over the LEDs.
4. Remove the two screws holding the filter assembly into the device.
5. Remove the filter assembly and replace it with a new assembly.
6. Torque the two philips head screws to 6in-lb (0.7 N-M) or ¼ turn past “lightly snug.” PLEASE DO NOT OVERTIGHTEN.
7. Replace the plastic name card over the LEDs.
8. Close the door and return power to the system.

Other system checks may need to be performed in accordance with local or national codes and regulations.

**TABLE 6. CANNED SMOKE TESTING**

UL LISTED	COMPANY	AEROSOL
	Home Safeguard	25S
	SDI LLC	CHEK02, CHEK06
		SOLOA3
		SMOKE SABRE-01

**CLASS I, DIVISION II**

This equipment is suitable for use in Class I, Division 2, Class A, B, C and D OR non-hazardous environments only.



EXPLOSION HAZARD - do not disconnect equipment unless power has been removed or the area is known to be non-hazardous

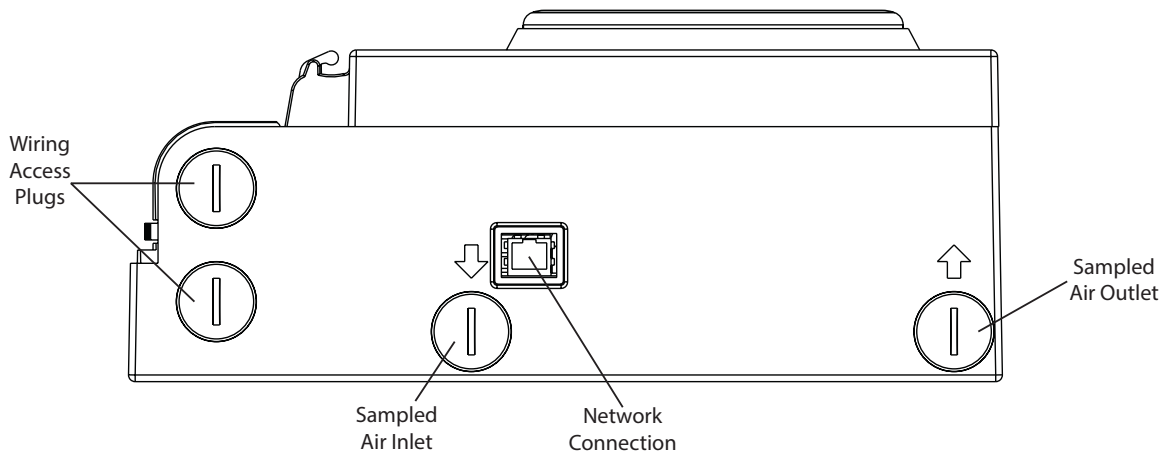


EXPLOSION HAZARD - Substitution of any components may impair suitability for Class I, Division 2



Exposure to some chemicals may degrade the sealing properties of materials used in the relays.

**FIGURE 14. BOTTOM VIEW OF UNIT**



# FAAST System Validation Form

Customer Name:		
Project Name:		
Site Address:		
Installer Name/Contact information:	Date:	
Commissioning Agent/Contact information:	Date:	
Client Representative/Contact information:	Date:	
Witness/Contact information:	Date:	
Wiring Checked:	Date:	Yes / No
Detector Settings Checked:	Date:	Yes / No
Test Relays:	Date:	Yes / No
<b>REQUIRED DOCUMENTS</b>		
Copy of Commissioning Form	Yes / No	
FAAST system Bill of Material	Yes / No	
Commissioning Form for each system	Yes / No	
Smoke Test results (optional)	Yes / No	
Locally required forms	Yes / No	
Customer's Signature:	Date:	
Commissioning Agent Signature:	Date:	

# FAAST System Validation Form (CONT.)

Air Handling	Yes / No	Duct Sampling	Yes / No
Number of Sample points:		Number of Cabinets:	
Conditions:		Temperature:	
		Humidity:	
		Other:	
As-Built Installation Drawings Available?	Yes / No	Is the system installed in accordance with the design?	Yes / No
Is the power supply installed properly?	Yes / No	Is the pipe network installed and labeled properly?	Yes / No
Describe any Variations:			
Sensitivity:		% Obscuration/ft.:	
Detector Address:		Detector Address:	
<b>THRESHOLD                      TIME DELAY                      TRANSPORT TIMES</b>			
Day	Alert:		Predicted:                      Actual:
	Action 1:		Predicted:                      Actual:
	Action 2:		Predicted:                      Actual:
	Fire 1:		Predicted:                      Actual:
	Fire 2:		
Night	Alert:		Alarm Outputs Verified:                      Yes / No
	Action 1:		Fault Outputs Verified:                      Yes / No
	Action 2:		Isolate Function Verified:                      Yes / No
	Fire 1:		
	Fire 2:		
Weekend	Alert:		
	Action 1:		
	Action 2:		
	Fire 1:		
	Fire 2:		
Acclimate	Alert:		
	Action 1:		
	Action 2:		
	Fire 1:		
	Fire 2:		
Air Flow Fault Thresholds	Low:		
	High:		

## **GLOSSARY**

### **KEY TERMS**

#### **Configure:**

To set up a program or computer system for a particular application.

#### **FAAST Fire Alarm Aspirating Sensing Technology®:**

High sensitivity aspirating smoke detection system.

#### **IP Address:**

An Internet Protocol (IP) address is a numerical label that is assigned to devices participating in a computer network utilizing the Internet Protocol for communication between its nodes.

#### **PipeIQ®:**

A software program designed to work with the FAAST unit for system configuration, monitoring and pipe design.

#### **Web server:**

A Web server is a computer program that delivers (serves) content. The device contains an integrated Web server which is used to observe detector configuration and may be used to remotely monitor the system.

---

### **LASER SAFETY INFORMATION**

This aspiration detector does not produce any hazardous laser radiation and is certified as a Class 1 laser product under the U.S. Department of Health and Human Services (DHHS) Radiation Performance Standard according to the Radiation Control for Health and Safety Act of 1968. Any radiation emitted inside the smoke detector is completely within the protective housings and external covers.

The laser beam cannot escape from the detector during any phase of operation. The Center of Devices and Radiological Health (CDRH) of the U. S. Food and Drug Administration implemented regulations for laser products on August 2, 1976. These regulations apply to laser products manufactured after August 1, 1976. Compliance is mandatory for products marketed in the United States.

---

### **WARRANTY**

System Sensor warrants its enclosed smoke detector to be free from defects in materials and workmanship under normal use and service for a period of three years from date of manufacture. System Sensor makes no other express warranty for this smoke detector. No agent, representative, dealer, or employee of the Company has the authority to increase or alter the obligations or limitations of this Warranty. The Company's obligation of this Warranty shall be limited to the repair or replacement of any part of the smoke detector which is found to be defective in materials or workmanship under normal use and service during the three year period commencing with the date of manufacture. After phoning System Sensor's toll free number 800-SENSOR2 (736-7672) for a Return Authorization number, send defective units postage prepaid to: System Sensor, Returns

Department, RA # \_\_\_\_\_, 3825 Ohio Avenue, St. Charles, IL 60174. Please include a note describing the malfunction and suspected cause of failure. The Company shall not be obligated to repair or replace units which are found to be defective because of damage, unreasonable use, modifications, or alterations occurring after the date of manufacture. In no case shall the Company be liable for any consequential or incidental damages for breach of this or any other warranty, expressed or implied whatsoever, even if the loss or damage is caused by the Company's negligence or fault. Some states do not allow the exclusion or limitation of incidental or consequential damages, so the above limitation or exclusion may not apply to you. This Warranty gives you specific legal rights, and you may also have other rights which vary from state to state.

---

### **FCC STATEMENT**

This device complies with part 15 of the FCC Rules. Operation is subject to the following two conditions: (1) This device may not cause harmful interference, and (2) this device must accept any interference received, including interference that may cause undesired operation.

NOTE: This equipment has been tested and found to comply with Part 15 of the FCC Rules. These limits are designed to provide reasonable protection against harmful interference in a residential installation. This equipment generates, uses and can radiate radio frequency energy and, if not installed and used in accordance with the instructions, may cause harmful interference to radio communications. However, there is no guarantee that interference will not occur in a particular installation. If this equipment does cause harmful interference to radio or television reception, which can be determined by turning the equipment off and on, the user is encouraged to try to correct the interference by one or more of the following measures:

- Reorient or relocate the receiving antenna.
- Increase the separation between the equipment and receiver.
- Connect the equipment into an outlet on a circuit different from that to which the receiver is connected.
- Consult the dealer or an experienced radio/TV technician for help.